

Date:

December 2017

Description:

ARB Roller Drawer Table

Application:

ARB Drawers

Part No. & Barcode:

Refer to Table Page 2

Weights & Dimensions:

Refer to Page 2

Recommended Retail Price:

Refer Table Page 2

Product Group:

871- Drawer System Accessories

Availability Date:

February 2018



Product Specification

Have you ever tried to take multiple items out of your ARB Fridge Freezer but found you had nowhere to place them? It was out of needs such as these that the invention of a slide out stainless steel table was born. Completely designed and manufactured in Australia, the ARB Roller Drawer Table provides simple convenience for touring or worksite applications.

Utilizing quality materials and finished in a 304 grade brushed stainless steel finish, the table provides a hygienic surface for a vast array of touring or worksite needs such as food preparation or additional bench space. The stainless steel sliding table attaches to the top of the ARB Outback Solutions Roller Drawer and can be deployed when the drawer is in either the open or closed position. Available in two different widths, these unique products are compatible with our whole range of roller drawers e.g. RD1355, RD1045 & RD945*.

* Not Compatible with Roller Floor Roller Drawer modules.

Features

- 304 grade brushed stainless steel
- Stainless steel mount rails
- Easy clean surface
- Doesn't interfere with current storage space
- Easy DIY setup
- 17lb weight limit
- Rounded corners for reduced sharp points

Installation

The table installation is simple to install utilising a standard tool kit. Comprehensive instructions are included to enable either workshop or DIY fitment in approximately 30mins. The fitting instructions are included on our trade resources website SellARB.

Please take care during handling and installation to prevent scratches on stainless steel finish prior to customer hand-over.

Dimensions

Part Number	Fits	Table Surface
RDTAB1045	RD1045	19.6in (L) x 18.6in (W) x 0.7in (H)
RDTAB1355	RD1355 & RD945	19.6in (L) x 17.4in (W) x 0.7in (H)

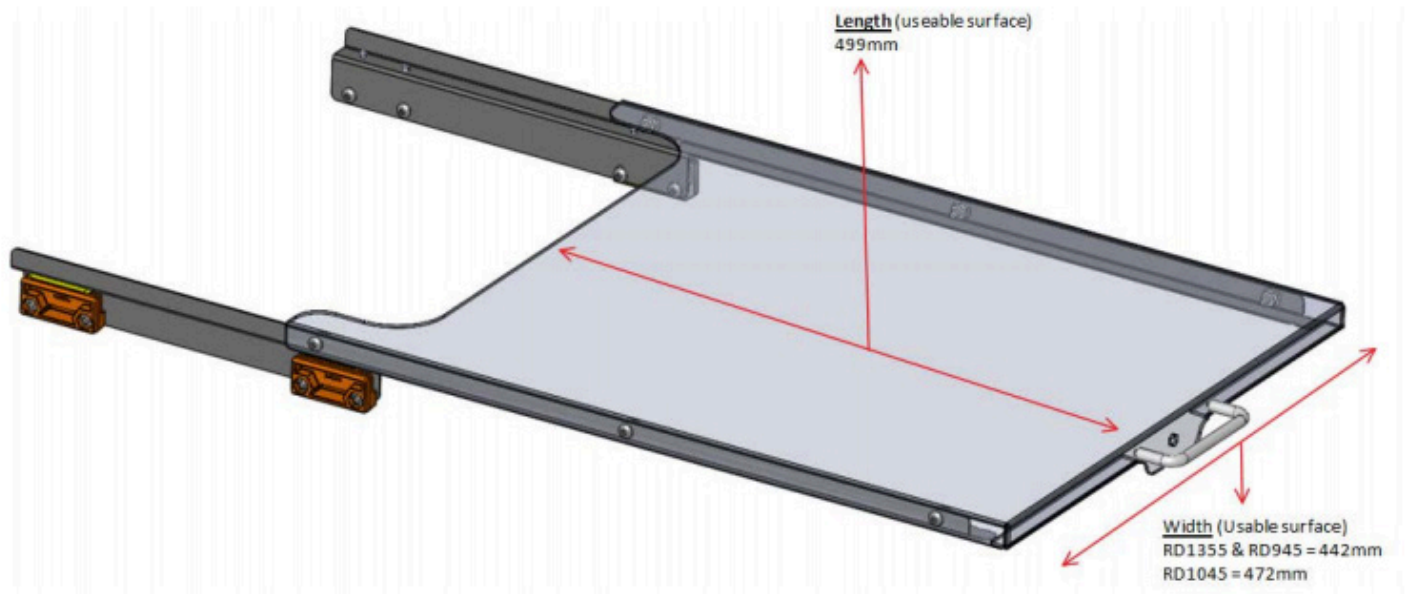
Part Number	Fits	Packaged Dimensions	Weight
RDTAB1045	RD1045	29.1in (L) x 20.1in (W) x 3.1in (H)	4.0lb
RDTAB1355	RD1355 & RD945	29.1in (L) x 20.1in (W) x 3.1in (H)	4.0lb

Pricing & Barcode

Part Number	MRSP	Barcode
RDTAB1045	\$150.00	9332018049490
RDTAB1355	\$173.00	9332018049483

Technical Specifications

- 304 Brushed Stainless steel
- Stainless steel mounting rails
- Stainless steel hardware
- Adjustable Nylon runners
- Compatible with ARB & Outback Drawers manufactured from 2010
 - RDTAB1045 suits RD1045
 - RDTAB1355 suits RD1355 & RD945



USA OFFICE

ARB USA- Air Locker Inc.

STREET ADDRESS

4810 D St. NW. Suite #103
Auburn WA, 98001

CONTACT DETAILS

T 888-427-2872
W arbusa.com