

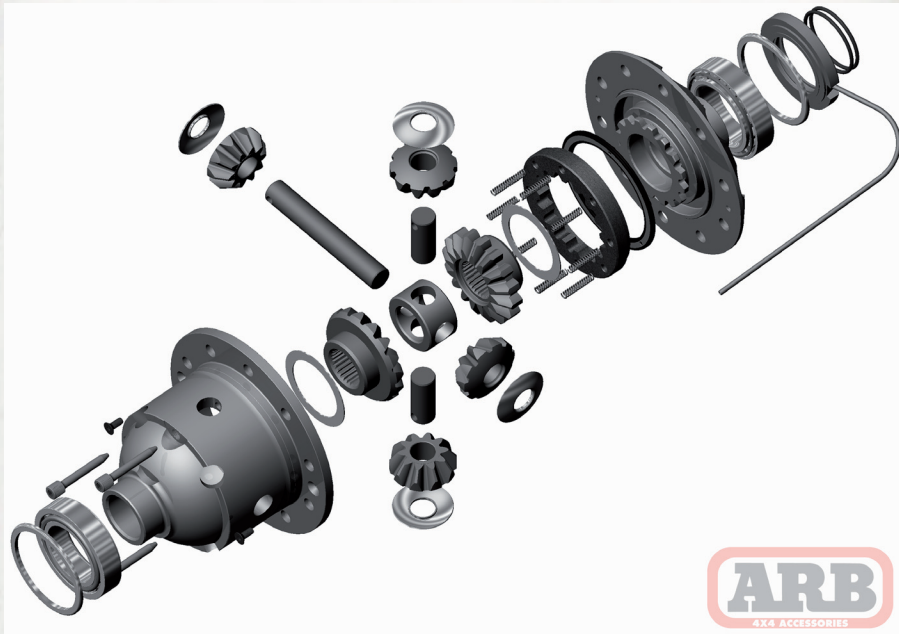
NEW PRODUCT ADVICE

Description: Nissan C200K, 31 Spline ARB Air Locker

Application: 2005-11 Frontier and Xterra (Please verify axle model)

Part No: RD196

Retail: \$1217.52



Specifications:

- 31 spline axle
- 1.26" (32.0mm) axle shaft diameter (outside of splines)
- 10 bolt ring gear
- 5.04" (128mm) dia. ring gear ID

Features:

- Patented 'timed' locking mechanism offers high strength and ultra fast un-locking
- Comprehensive photo illustrated installation and service guides
- Steel reinforced, elastomer bonded annular seal designed to handle the most extreme climatic temperatures on earth
- Patented 2 piece design offers a range of interchangeable side gears (sold separately) to integrate with non-standard axle shaft splines

Availability Date: Mid June 2011

Media Inquiries

For more information about ARB or to obtain production quality images, please contact:

ARB Marketing, ARB 4x4 Accessories | 720 SW 34th Street | Renton, WA 98057

Email: marketing@arbusa.com | **Tel:** (425) 264-1391 | **Fax:** (425) 264-1392



4X4 ACCESSORIES

